



**1-2.5 ton
AC ELECTRIC
FORKLIFT**

HELI



AC ELECTRIC FORKLIFT 1-2.5 ton

Newly designed wide-view mast



The newly designed wide-view mast enlarges operators' view effectively and lessens the blind area to provide a clearer vision.

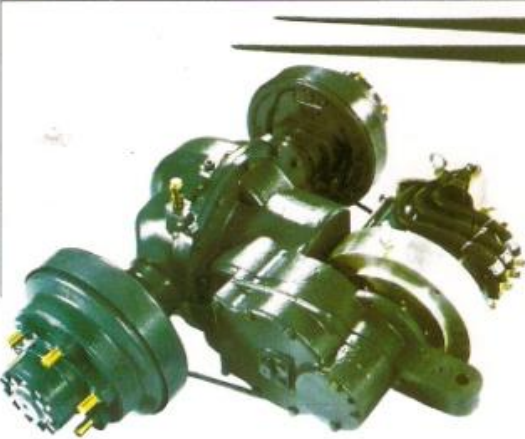
Excellent steering system



The Steering system with new technologies not only provides a smoother swerve and faster positioning & steering, but also effectively lowers down the noise.

- ✓ New integrated load-sensing steering
- ✓ Power Steering
- ✓ New low-noise gear pump with differential tooth technology

AC drive motor



The wonderful combination of high-power AC motor and the new style gearbox by independent R&D fully enhance the performance of acceleration, driving and grade ability.

- ✓ Large ratio gearbox
- ✓ Motor maintenance
- ✓ Maintain more efficient
- ✓ Renewable energy technologies



High efficiency loading/unloading performance

The innovative design and configuration of hydraulic system improve the working efficiency largely and provide a very efficient loading/unloading.

↑ **20%**
THE MAXIMUM UNLOADED
LIFTING SPEED INCREASES

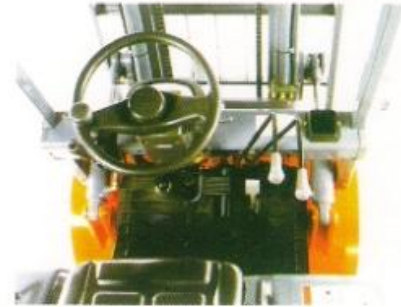
↑ **12%**
THE MAXIMUM LOADED
LIFTING SPEED INCREASES

- New low-speed & high-torque lifting motor
- MOSFET lifting controller
- New dynamic load sensing technology in hydraulic system
- Optional AC lifting system greatly enhances the loading/unloading performance.



Enough operation space

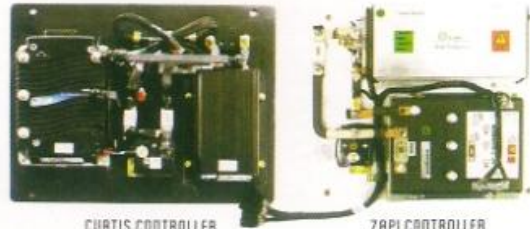
The new optimization layout widens the operator space for ensuring more comfortable and convenient operation.



More intelligent performance

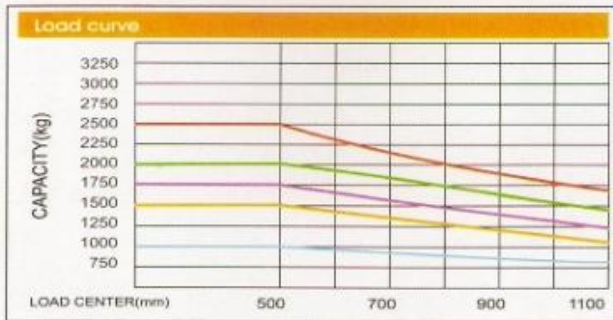
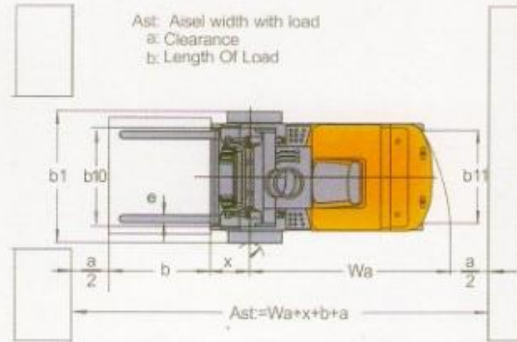
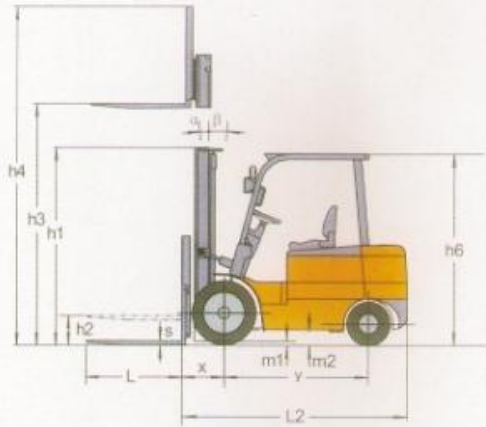
The truck equipped with more intelligence functions not only ensures the safety performance, but also improves the efficiency and reduces energy consumption.

- Standard CAN BUS
- Self-braking on ramp
- Preventing abnormality operating
- AC traction controller
- Emergency power shut-down
- Electric controller self-protecting
- Presence of driver sensing system
- Speed selection function (normal/cutback)



CURTIS CONTROLLER

ZAPI CONTROLLER



1.0t 1.5t 1.8t 2.0t 2.5t

Note:

Vertical axle stands for load capacity while horizontal axle stands for load center. Load center is the distance counted from the front of the fork. The base point of the standard load is the center point of the cubic with the same 1000mm dimension in length, width and height. The load capacity should be down, if mask tilts forward, using non-standard forks or loading goods with extra width. Please notice the different load capacity between different load centers according to load chart.



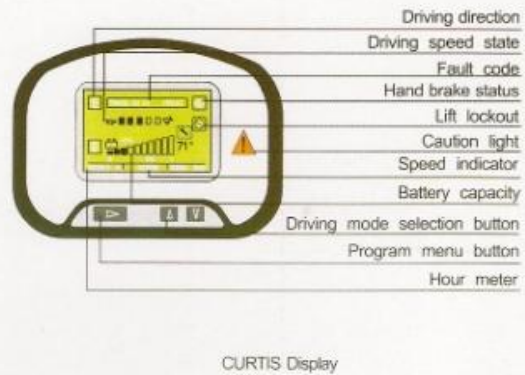
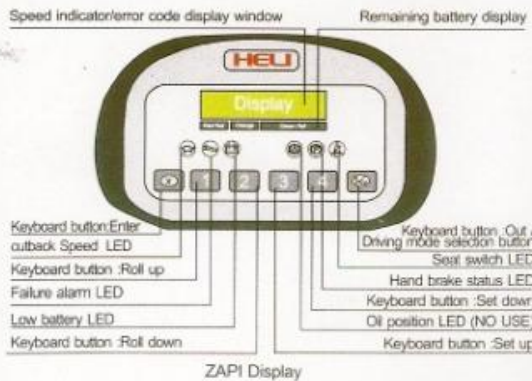
Renewable energy technologies

With the use of the excellent load-sensing steering system and AC controlling renewable energy technologies, the forklift is more energy-saving and the working hour of the battery is extended by 15%.

↑ 15%

THE PERFORMANCE OF BATTERY INCREASES

The reliable special instrument gives a complete display of the vital information, like operation status, fault detection, etc. It ensures the operator predominate the vehicle status more intuitive and convenient.





AC ELECTRIC FORKLIFT 1-2.5 ton

Manufacturer's Data and Design Characteristics

Characteristics				
1.01	Manufacture's Name			
1.02	Model Designation		CPD10	
1.03	Configuration Number		FJ1	FJ2 FJ1
1.04	Load Capacity	Q (kg)	1000	
1.05	Load Center	c (mm)		
1.06	Power Type			
1.07	Operator Type			
1.08	Wheelbase	y (mm)	1250	
Wheels & Tyres				
2.01	Tyre Type			
2.02	Tyres Number (Front/Rear)			
2.03	Tread(centre of tyre),front	b10 (mm)	950	
2.04	Tread(centre of tyre),rear	b11 (mm)	920	
2.05	Tyre Size, Front			
2.06	Tyre Size, Rear			
Dimensions				
3.01	Load Distance	x(mm)	422	
3.02	Mast Tilt Angle,F/R	α / β (°)	6/12	
3.03	Height with Mast Lowered	h1 (mm)	1995	
3.04	Free Lift	h2 (mm)	150	
3.05	Standard Lift Height	h3 (mm)	3000	
3.06	Height with Mast Extended	h4 (mm)	4008	
3.07	Overhead Guard Height	h6 (mm)	2130	
3.08	Fork Size	s/e/L(mm)	32×100×770	
3.09	Fork Carriage to DIN 15173 A/B		2A	
3.10	Length to fork face	L2 (mm)	2006	
3.11	Overall Width	b1 (mm)	1070	
3.12	Outside Turning Radius	Wa (mm)	1800	
3.13	Ground Clearance at mast ,Loaded	m1 (mm)	110	
3.14	Ground Clearance at centre of wheelbase ,Loaded	m2 (mm)	125	
3.15	Right Stack Aisle width (Pallet size 1000x1000mm,clearance:200mm)	Ast (mm)	3420	
3.16	Right Stack Aisle width (Pallet size 1200x1200mm,clearance:200mm)	Ast (mm)	3620	
Performances				
4.01	Travel Speed,with/without load	km/h	14/15	
4.02	Lifting Speed,with/without load	m/s	0.29/0.45	
4.03	Lowering Speed	m/s		
4.04	Gradient performance with load	%	18	
4.05	Max. draw bar pull with load	N	7800	
4.06	Acceleration time (10 metres) W/O load	s	4.4/4.1	
Weight				
5.01	Total Weight(with battery)	kg	2650	
5.02	Axle Loading*: Unloaded,Front/Rear	kg	1200/1450	133
5.03	Axle Loading*: Loaded,Front/Rear	kg	3285/365	400
Battery				
6.01	Battery Voltage/rated capacity(5h)	V/Ah	48/400	
6.02	battery weight	kg	975	
6.03	Compartment for Battery Size	mm	617x980x465	
Motor & Controller				
7.01	Drive Motor - 60 Min. Rating	kW		
7.02	Pump Motor - 15 Min. Rating	kW		7.5
7.03	Drive Motor Control Method			
7.04	Pump Motor Control Method			
7.05	Service Brake/Parking Brake			
7.06	Relief Pressure	Mpa	14.5	



HEU									
CPD15			CPD18			CPD20		CPD25	
FJ2	CJ1	CJ2	CJ1	CJ2	FJ1	FJ2	FJ1	FJ2	
1500				1750		2000		2500	
500									
Battery									
Seated									
250		1370		1370				1515	
Pneumatic									
2/2									
950				950				960	
920				920				950	
6.50-10-10PR								7.00-12-12PR	
5.00-8-10PR								18×7-8-14PR	
425				425				483	
6/12				6/12				6/12	
1995				1995				2000	
155				155				170	
3000				3000				3000	
4005				4005				3995	
30		2160		2160				2130	
35×100×920				35×100×920		45×100×920		45×100×1070	
2A				2A				2A	
40		2130		2153				2398	
1070				1070				1150	
20		1930		1960				2065	
110				110				140	
125				125				155	
45		3560		3590		3748		3808	
45		3760		3790		3948		3948	
14/15				14/15		14/15		14/15	
0.29/0.45				0.28/0.53		0.28/0.49		0.26/0.49	
			0.45						
17				15		16		15	
800		8800		9500		12300		12800	
4.2		4.5/4.2		4.8/4.5		4.8/4.3		5.0/4.6	
150		3000		3250		4050		4200	
1620		1360/1640		1450/1800		1820/2230		1900/2300	
450		4030/470		4500/500		5450/600		6030/670	
				48/550		48/600			
				1075		1125			
				727x980x500		525x1050x807			
8.0(AC)						11.1(AC)			
DC)				8.6(DC)		10.5(DC)			
				MOSFET/AC					
				MOSFET/DC					
				Hydraulic/Mechanical					
1.5		14.5		17.5		17.5		17.5	